

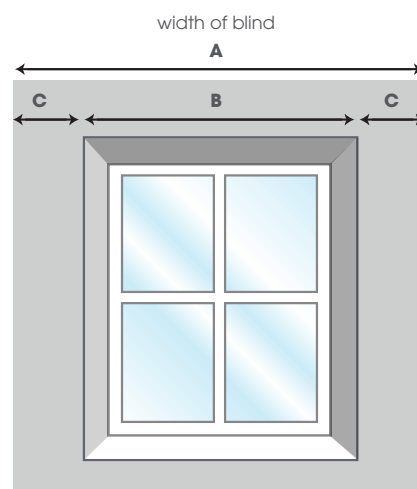
Installation guide - vertical blinds

Step 1

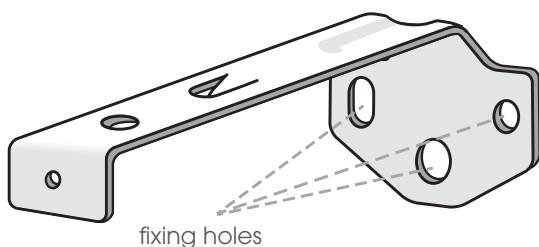
Outside Recess

If the blind is to be fitted outside the window ensure that measurement **C** is the same. **C** is simply equal to **A** minus **B**, divided by two. Follow instruction for FACE FIXING.

If TOP FIXING, fix to the lintel if the window frame is uPVC or if there are no obstructions. If FACE FIXING, fit bracket to the window

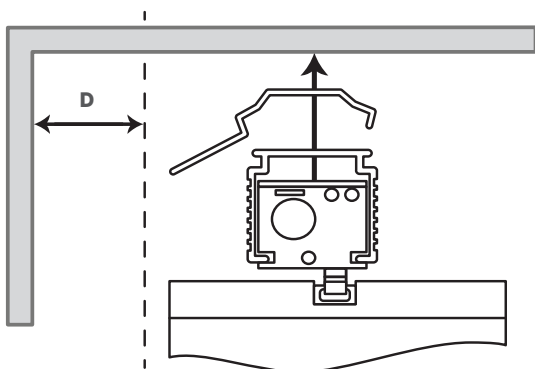


Step 2



Face Fixing

Position brackets approx 5cm from the ends of the headrail. Mark fixing holes and screw brackets into place.



Top Fixing

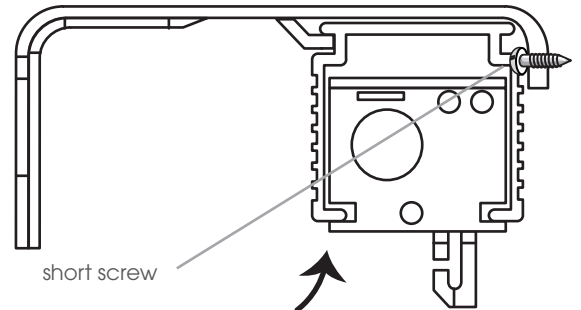
Measure and mark the distance (**D**), allowing for obstructions like handles that protrude into the recess area. Hold the blind in the recess and find the bracket fixing position. Drill brackets into position 5cm from the recess side walls.

Installation guide - vertical blinds

Step 3

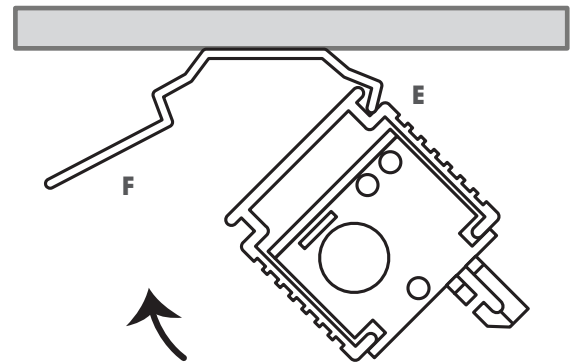
Face Fixing

Hook the back of the headrail into the bracket and rotate the headrail into position. Secure headrail by tightening the short screw in the front of the bracket.

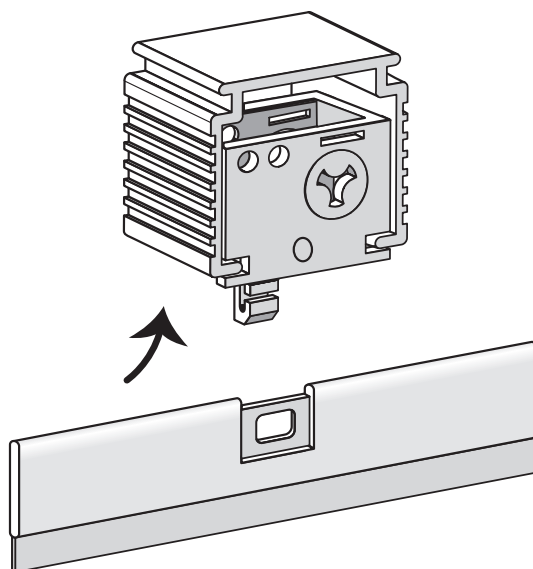


Top Fixing

Tilt and hook headrail into bracket at point **(E)**. Rotate the headrail into position until it clicks. To release the headrail push the bracket at point **(F)**.



Step 4



Final step

With the headrail fitted hook each hanger into the louvres ensuring the louvres are in open position.