

# Installation guide - roman blinds

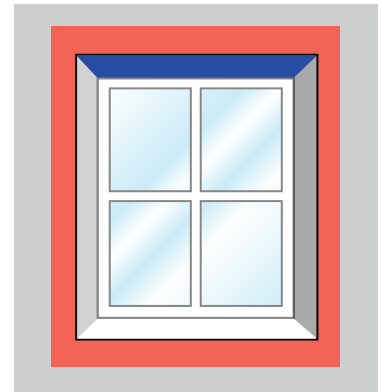
## Step 1

### Outside Recess

If the blind is to be fitted outside the window, ensure that measurement **C** is the same. **C** is simply equal to **A** minus **B**, divided by two. Follow instructions for FACE FIXING.

### Inside Recess

If TOP FIXING, fix to the lintel if the window is uPVC, or if there are no obstructions. If FACE FIXING, fit bracket to window frame.

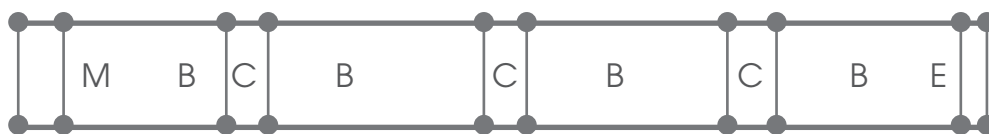


- Top fix
- Face fix

## Step 2

### Fixing

Place bracket into position 5cm from clutch end of the blind and 5cm from the other end. Brackets should then be positioned either side of the lifting cords/cones.



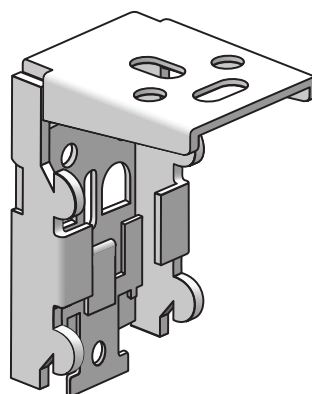
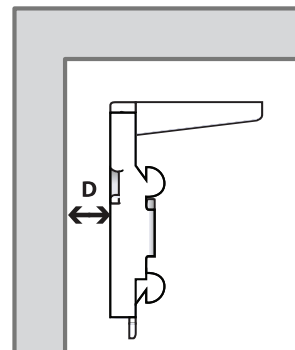
- B:** Bracket Locations
- M:** Clutch Mechanism
- C:** Cone Position
- E:** End Cap

# Installation guide - roman blinds

## Step 3

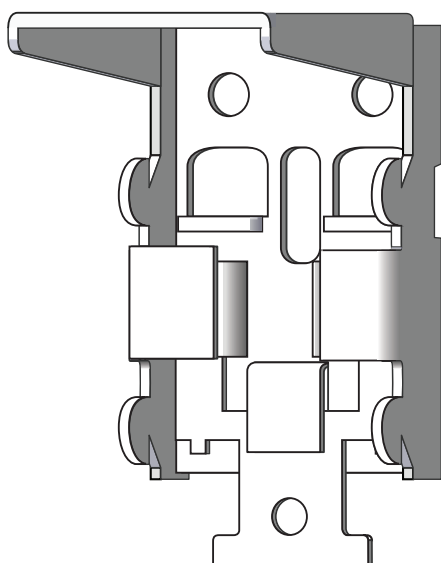
### Top fixing

Measure and mark the distance (D), allowing for any obstructions (handles) that protrude into the recess area. Fix the bracket into position using the fixing holes.



Depending on your situation use either **TOP FIXING** or **FACE FIXING**

## Step 3



### Face fixing

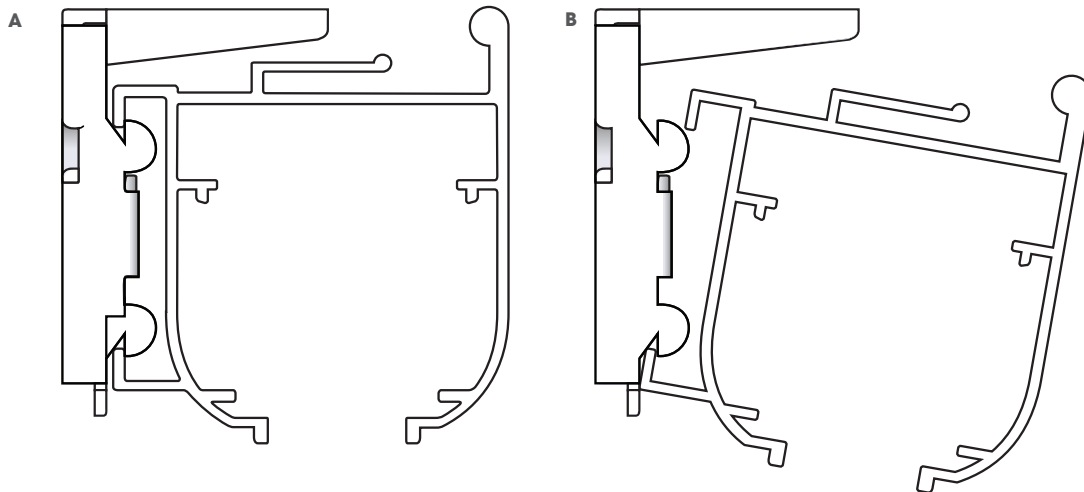
Standard BracketAffix bracket using fixing holes as shown below.

# Installation guide - roman blinds

## Step 4

### Fitting the Blind

Angle headrail to fit onto catches at bottom of bracket at 'A' Rotate front of headrail up compressing springs until top lip clicks into place at 'B'



### Removing the blind

For each bracket, starting from one end of the blind: **1)** Press the headrail up compressing the spring **2)** Tilt the headrail down at the front, to clear **3)** Unhook from the bottom rear catches **4)** Repeat for the next bracket, ensuring that the headrail is adequately supported at the free end

