

Installation guide - roller blinds

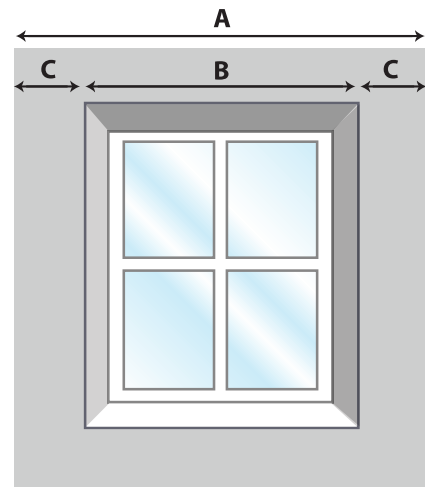
Step 1

Outside Recess

If the blind is to be fitted outside the window ensure that measurement **C** is the same. **C** is simply equal to **A** minus **B**, divided by two. Follow instructions for FACE FIXING.

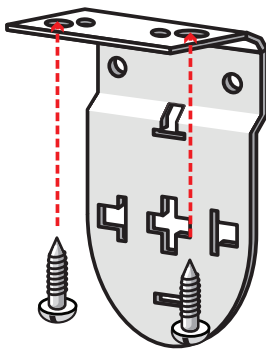
Inside Recess

If TOP FIXING, fix to the lintel if the window frame is uPVC or if there are no obstructions. If FACE FIXING, fit bracket to the window frame.

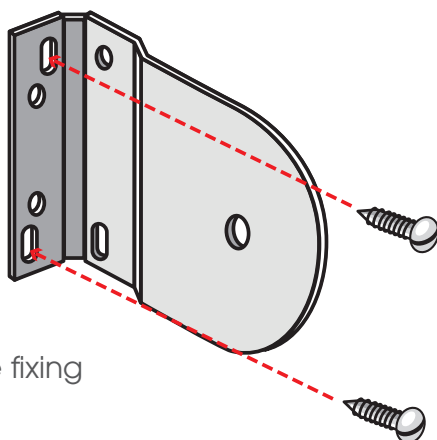


Step 2

top fixing



face fixing



Fixing

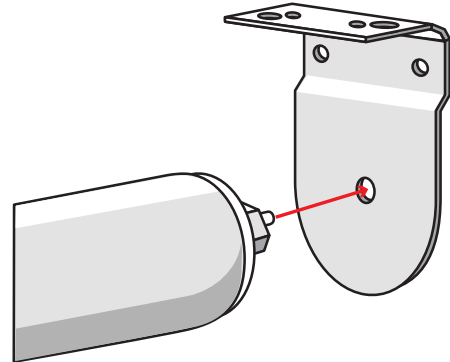
Hold each bracket into place and mark the hole positions. Fit each bracket using 2 screws provided.

Installation guide - roller blinds

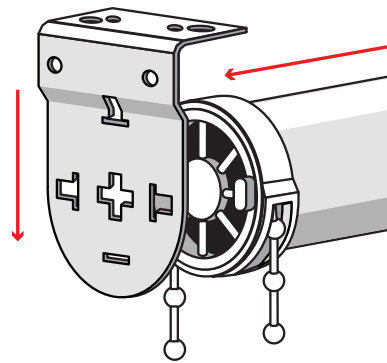
Step 3

Attaching the roller

Holding the full-wound blind, insert the idle pin end into the bracket as shown.



With the idle pin end in place, insert the control end into the opposite bracket. Ensure that the blind has clicked into place using the centre lug.



Step 4

Operating your roller blind

Gently pull the chain to raise and lower the blind.

