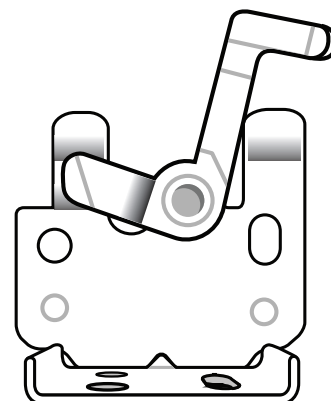
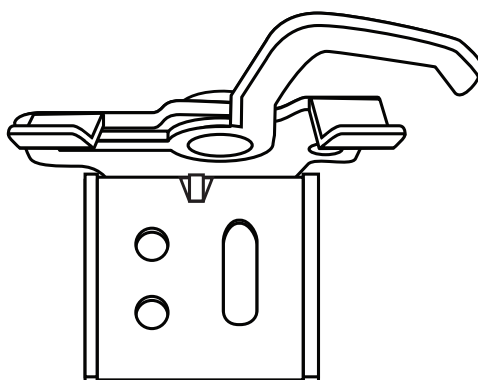


Installation guide - panel blinds

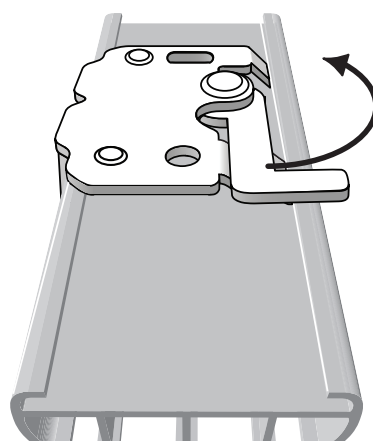
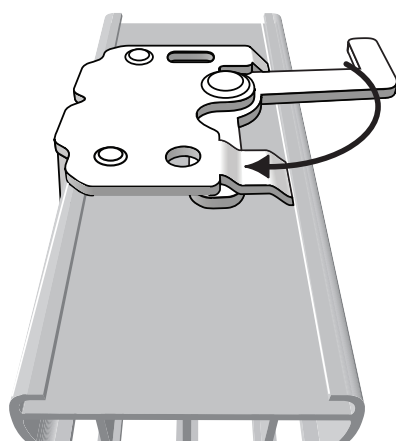
Step 1

Brackets

All brackets can be top fixed or face fixed. The pictures below show the top and front of the brackets for the screw to be through.



Step 2



Brackets continued

The front of the bracket fits under the profile on the headrail. Closing the swivel bracket then locks the bracket to the headrail.

Brackets	Blind Size (mm)
2	400 - 999
3	1000 - 1599
4	1600 - 2199
5	2200 - 2799
6	2800 +

These should be positioned as close to the end as possible. Depending on the width of the blind more brackets have to be fitted along the blind for stability.